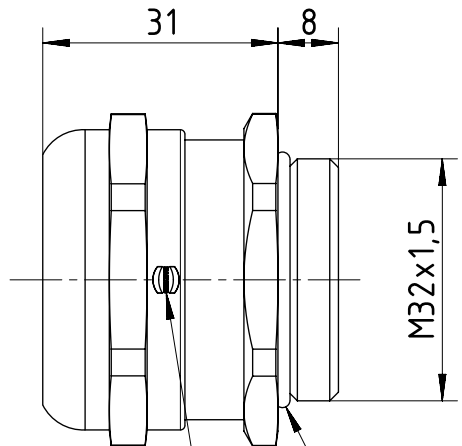


A

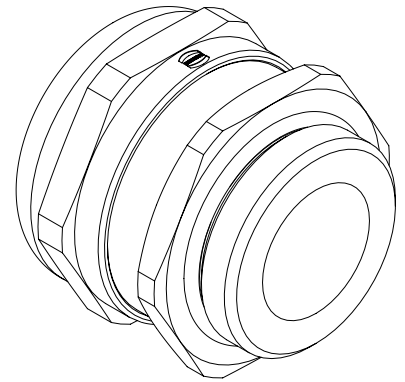
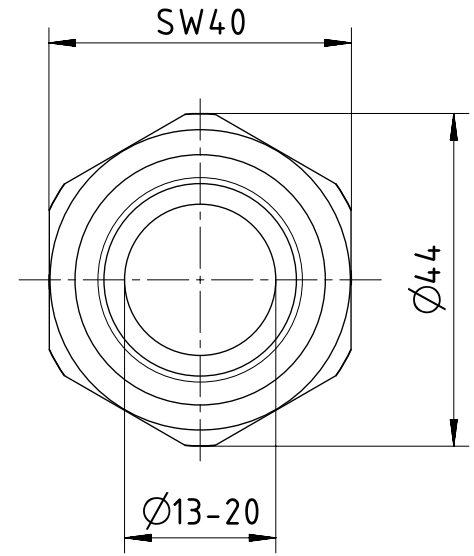
B


C

D



O-Ring included
Position of the Logo may vary



	All rights reserved Department EL PD - DE	Created by LONGL <input checked="" type="checkbox"/>	Inspected by DINGB <input checked="" type="checkbox"/>	Standardisation TIEMANNA <input checked="" type="checkbox"/>	Date 2016-03-04	State Final Release	
		Title Han CGM-M M32x1,5 D.13-20mm				Doc-Key / ECM-Nr. 100091067/UGD/004/B 500000100783	
HARTING Electric GmbH & Co. KG D-32339 Espelkamp		Type TB	Number 19000005094			Rev. B	Page 1/1