

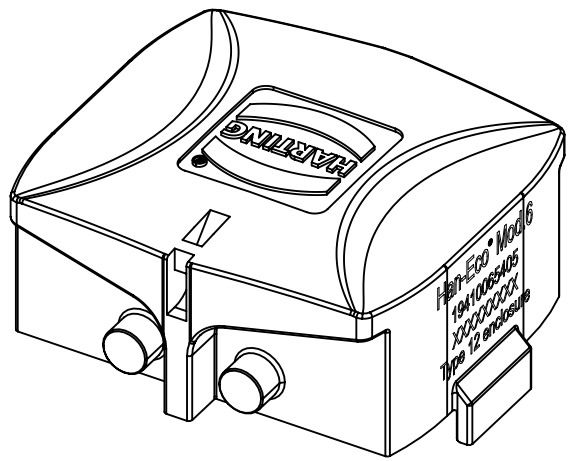
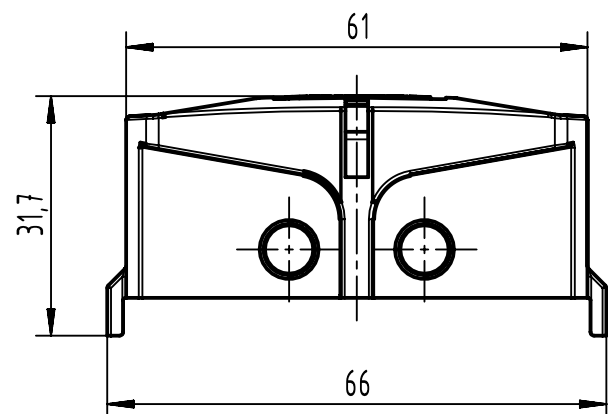
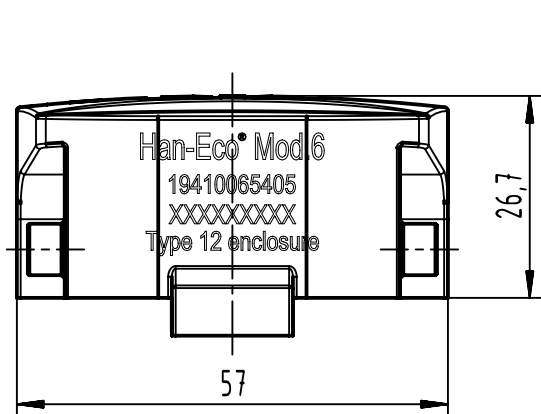
1 2 3 4 5 6


A

B

C

D



	All rights reserved Department EL PD	All Dimensions in mm Original Size DIN A4		Scale 1:1	Free size tol.	Ref. Sub. TB 19 41 006 5405 v. 28.07.11	
		HARTING D-32339 Espelkamp	Created by HOLLERT	Inspected by SCHNIEDER	Standardisation	Date 2024-02-13	State Final Release
				Title Han-Eco Mod.6-C-f. HBM/HSM/HCC			Rev. C
				Type TB	Number 19 41 006 5405		Page 1/1