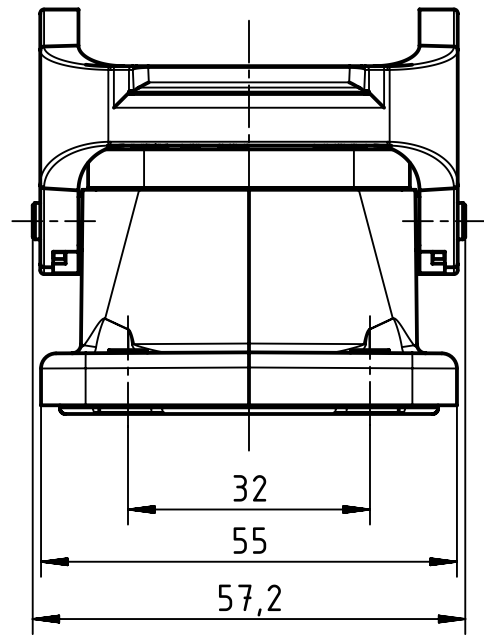
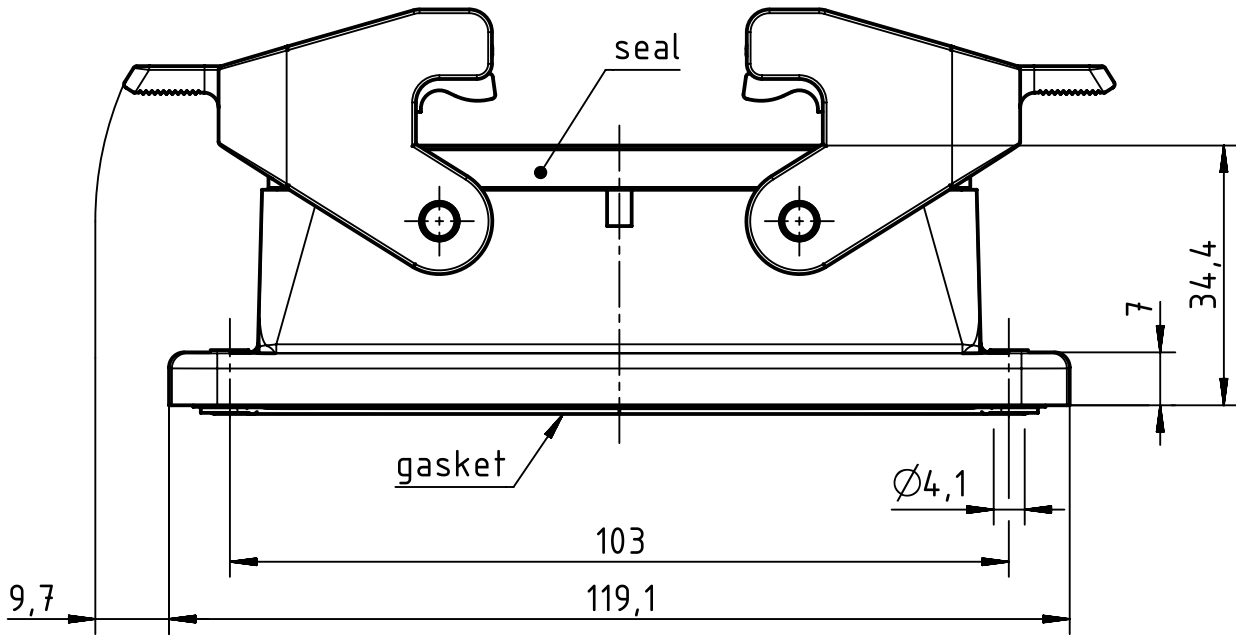


A

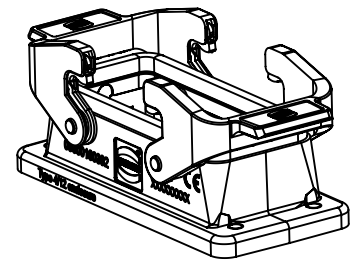
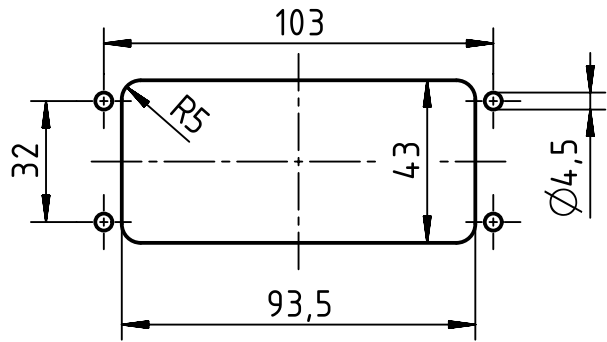
B


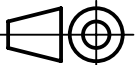
C

D



panel cut out (1:2)



	All rights reserved		Created by WENE		Inspected by LUOK		Standardisation RUETERA		Date 2020-05-22		State Final Release	
	Department EL PD		Title Han 16B HBM Rear-Fit DL w/o frame		Number 09 30 016 0392		Doc-Key / ECM-Nr. 100832310/UGD/001/C 500000173246		Rev. C		Page 1/1	
HARTING Electric GmbH & Co. KG D-32339 Espelkamp			Scale 1:1		Free size tol.		Ref.		Sub.			
 All Dimensions in mm Original Size DIN A4												