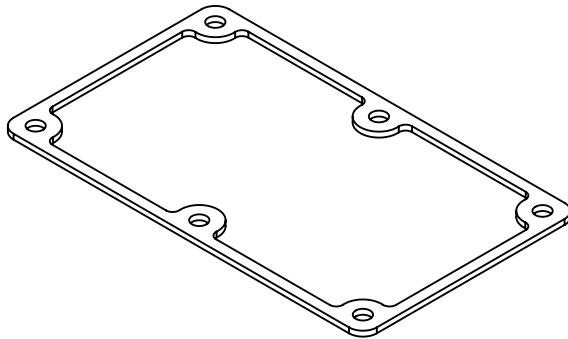
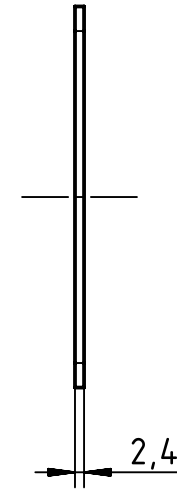
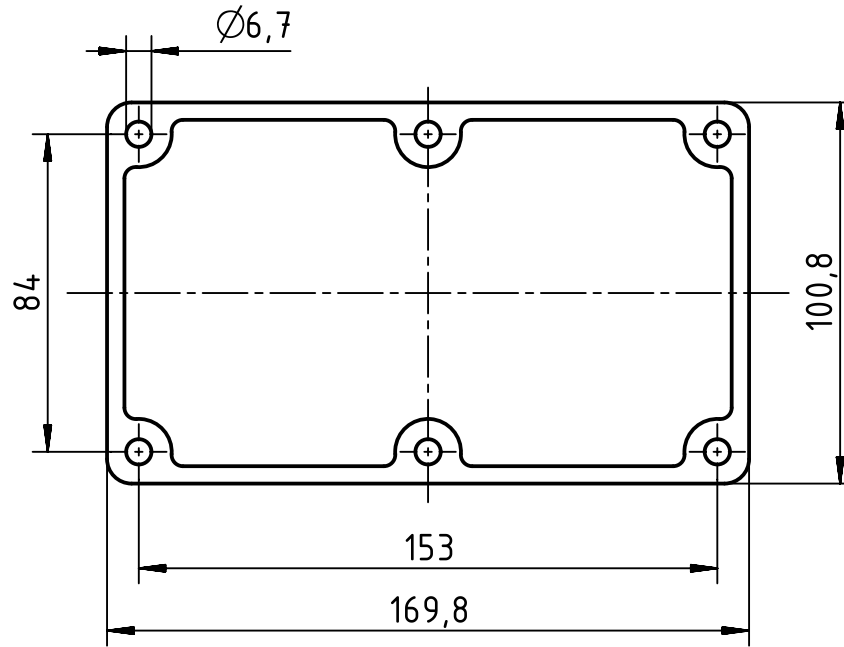



A

B

C

D



	All rights reserved		Created by	Inspected by	Standardisation	Date	State
	Department EL PD - CN		LONGL	DINGB	RUETERA	2017-11-27	Final Release
HARTING Electric GmbH & Co. KG		Title				Doc-Key / ECM-Nr.	
D-32339 Espelkamp		Han 10HPR PFT Flange gasket				100752005/UGD/001/A 500000128439	
		Type	Number		Rev.	Page	
		TB	09 40 000 9802		A	1/1	