

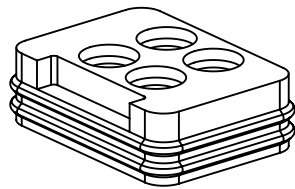
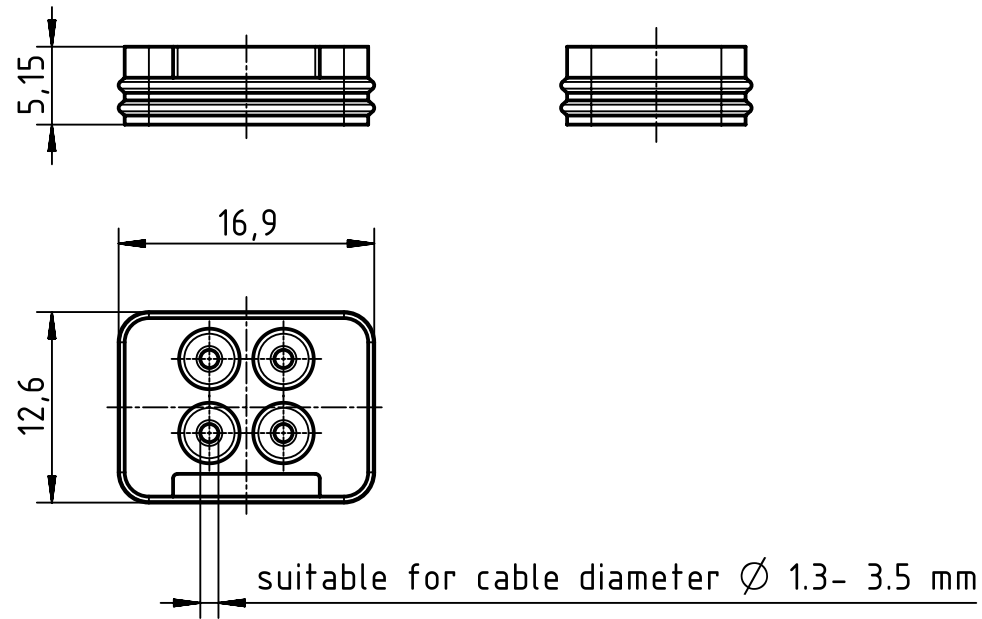
1 2 3 4 5 6

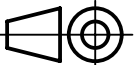

A

B

C

D



 All Dimensions in mm Original Size DIN A4	Scale	Free size tol.		Ref.	
	2:1			Sub.	
 All rights reserved Department EL PD	Created by	Inspected by	Standardisation	Date	State
	HOLLERT	HERBRECHTSME	RUETERA	2019-02-18	Final Release
HARTING Electric GmbH & Co. KG D-32339 Espelkamp	Title			Doc-Key / ECM-Nr.	
	Han 1A-single wire sealing-04-s			100810771/UGD/001/A 500000147061	
Type		Number		Rev.	Page
TB		09 10 004 9900		A	1/1