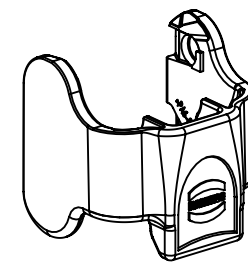
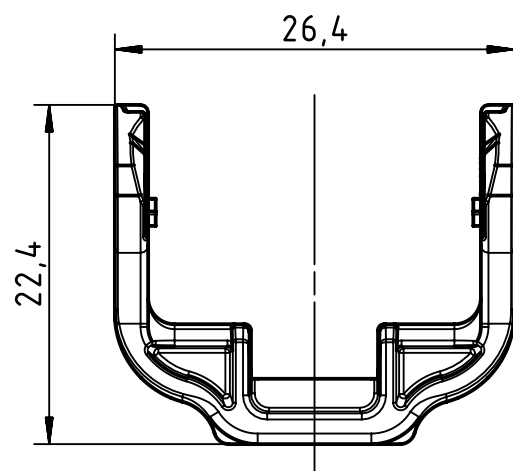
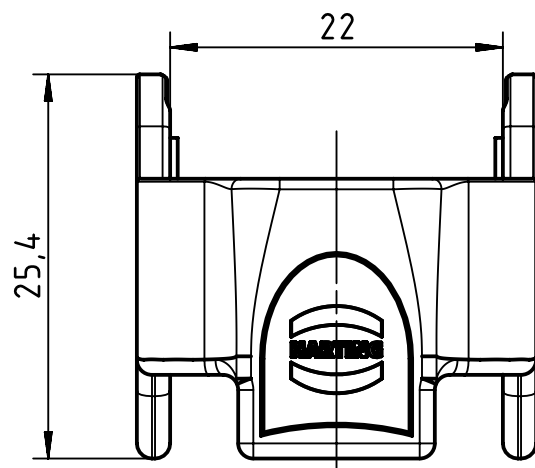


A

B

C

D



 All Dimensions in mm Original Size DIN A4	Scale	Free size tol.		Ref.	
	2:1			Sub.	
 All rights reserved Department EL PD	Created by	Inspected by	Standardisation	Date	State
	DEIMEL	GRIEPENSTROH	302077	2021-03-08	Final Release
HARTING D-32339 Espelkamp	Title			Doc-Key / ECM-Nr.	
	Han® S-SL red			100872868/UGD/001/B 500000190596	
Type		Number		Rev.	Page
TB		09 93 000 9943		B	1/1