

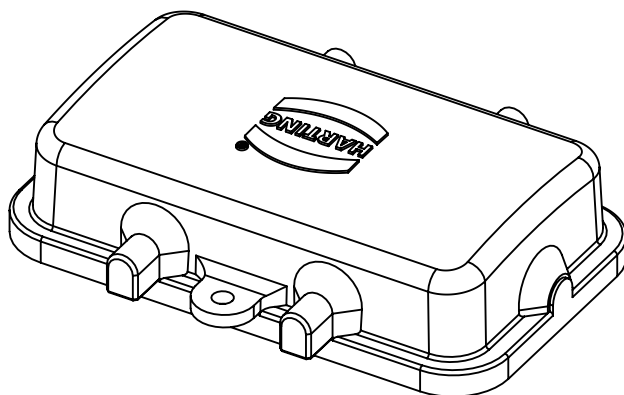
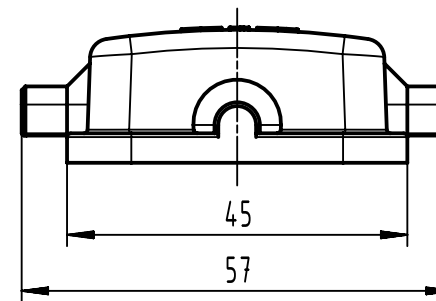
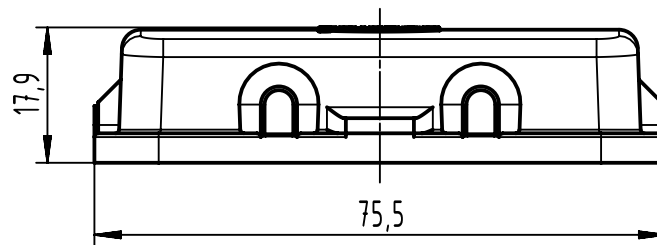
1 2 3 4 5 6

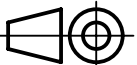

A

B

C

D



 All Dimensions in mm Original Size DIN A4	Scale	Free size tol.			Ref.
	1:1				Sub. TB 09 30 010 5407 v. 04.02.08
 All rights reserved Department EL PD	Created by	Inspected by	Standardisation	Date	State
	SPREENB	GERB	SAP_WFRT	2022-01-27	Final Release
HARTING D-32339 Espelkamp	Title				Doc-Key / ECM-Nr.
	Han 10B cover				100992580/UGD/000/A 500000210661
Type		Number		Rev.	Page
TB		09 30 010 5407		A	1/1