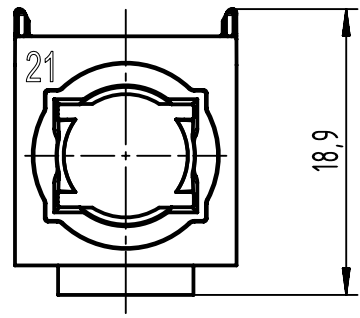
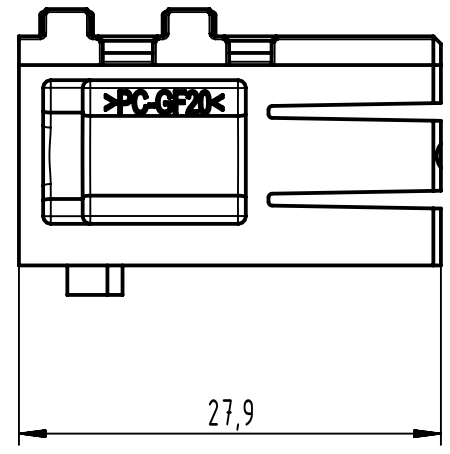
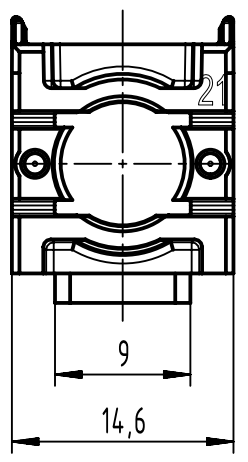
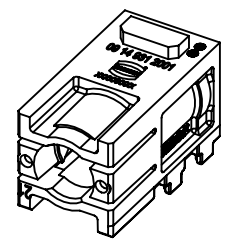
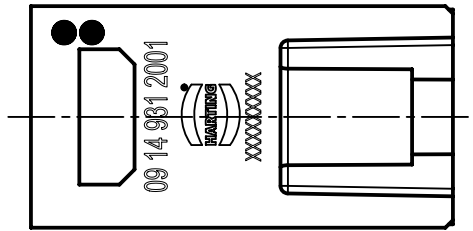



1 2 3 4 5 6

A
B
C
D



	All rights reserved Department EL PD	All Dimensions in mm Original Size DIN A4	Scale 2:1	Free size tol.		Ref.
		Created by 100887	Inspected by RUETERA	Standardisation	Date 2022-11-14	State Final Release
HARTING D-32339 Espelkamp		Title Han Domino Pneumatic cube (MF.2)				Doc-Key / ECM-Nr. 100960971/UGD/001/C 500000229936
		Type TB	Number 09 14 931 2001			Rev. C
						Page 1/1