

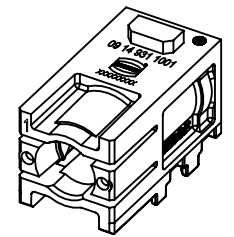
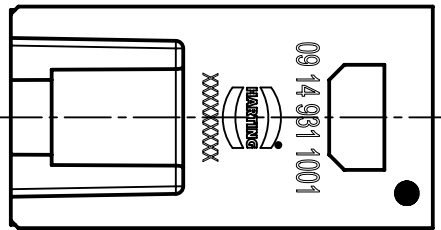
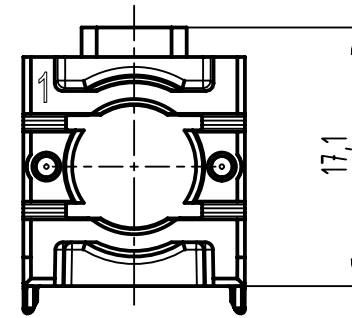
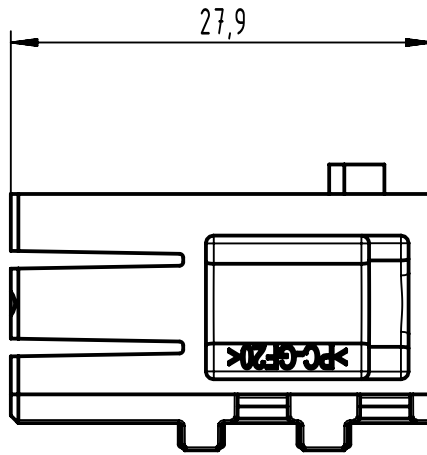
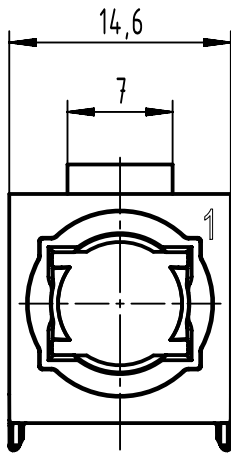
1 2 3 4 5 6


A

B

C

D



	All rights reserved Department EL PD	All Dimensions in mm Original Size DIN A4	Scale 2:1	Free size tol.		Ref.	
		Created by 100887	Inspected by RUETERA	Standardisation	Date 2022-11-14	State Final Release	Sub.
HARTING D-32339 Espelkamp		Title Han Domino Pneumatic cube (MF.1)				Doc-Key / ECM-Nr. 100960969/UGD/001/C 500000229936	
		Type TB	Number 09 14 931 1001		Rev. C	Page 1/1	