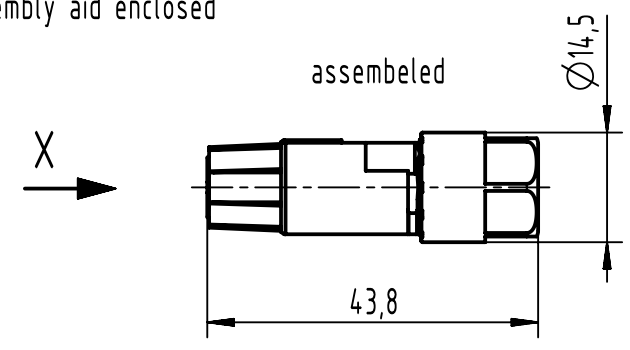
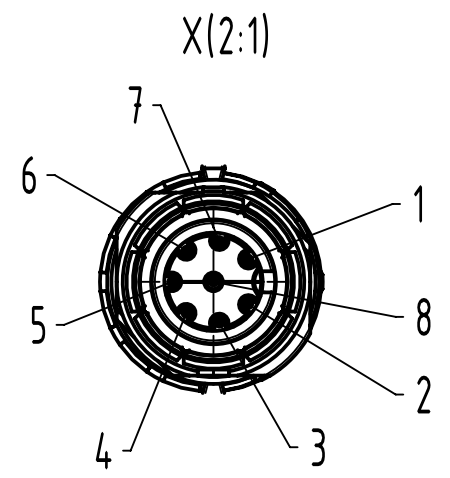
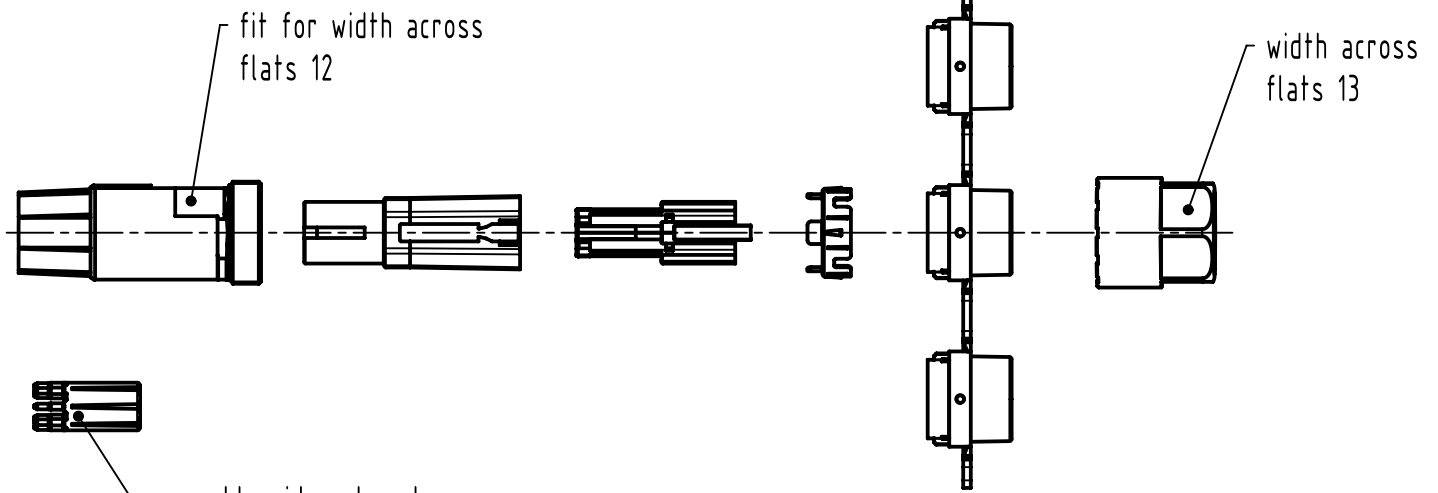
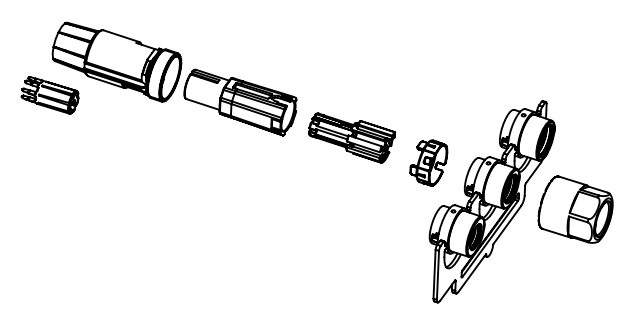


1 2 3 4 5 6

A
B
C
D



order contacts separately



wire gauge	part-no contact
AWG 26-22	21 01 100 9025

	All rights reserved Department EL PD	Title Han M12 Crimp A-coded female	Doc-Key / ECM-Nr. 100906838/UGD/001/C 500000226353	All Dimensions in mm Original Size DIN A4		Scale 1:1		Free size tol.		Ref. Sub.	
				HARTING D-32339 Espelkamp		Created by MOELLERLI		Inspected by GIESBRECHT P		Standardisation SAP_WFRT	
		Type TB		Number 09 14 821 2805		Rev. C		Page 1/1			