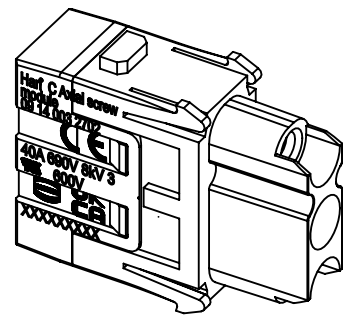


for stranded wire 6-10mm<sup>2</sup>, AWG 10-8, fine wire



	All Dimensions in mm Original Size DIN A4	Scale 2:1		Free size tol.		Ref.	
		Created by HOLLERT		Inspected by SUNDERMEIER		Date 2023-01-20	
	All rights reserved		Standardisation		State Final Release		Doc-Key / ECM-Nr. 100169976/UGD/007/G 500000235151
	Department EL PD		Title Han C axial module, female 6-10mm <sup>2</sup>		Rev. G		
HARTING D-32339 Espelkamp		Type TB	Number 09 14 003 2702		Page 1/1		