

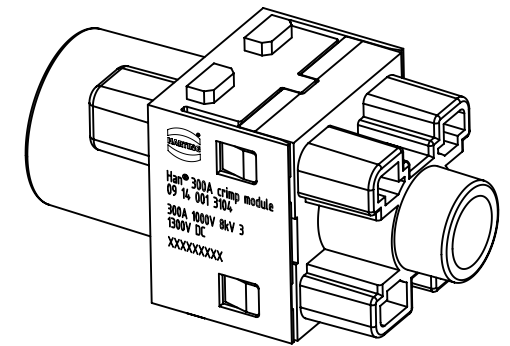
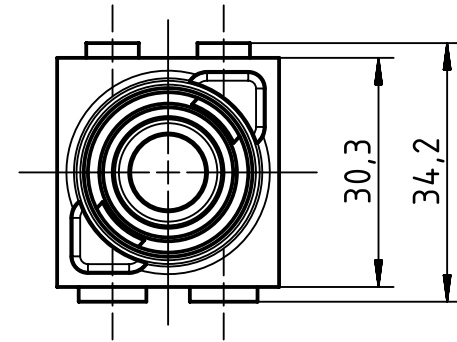
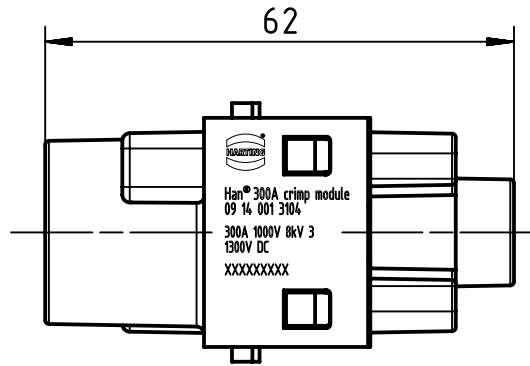
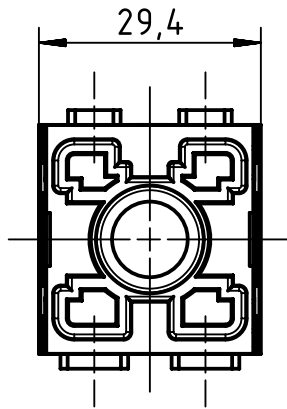
1 2 3 4 5 6

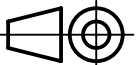

A

B

C

D



 All Dimensions in mm Original Size DIN A4	Scale 1:1	Free size tol.			Ref.
					Sub.
 All rights reserved Department EL PD	Created by MOELLERLI	Inspected by GIESBRECHT P	Standardisation GARSKE	Date 2020-03-03	State Final Release
	Title Han 300A crimp module, female				Doc-Key / ECM-Nr. 100855410/UGD/001/C 500000166907
HARTING Electric GmbH & Co. KG D-32339 Espelkamp		Type TB	Number 09 14 001 3104		Rev. C Page 1/1