

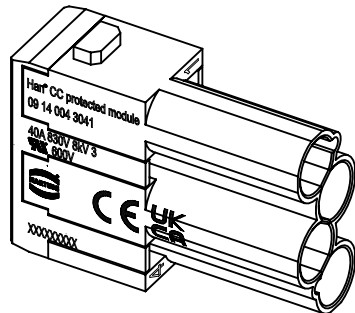
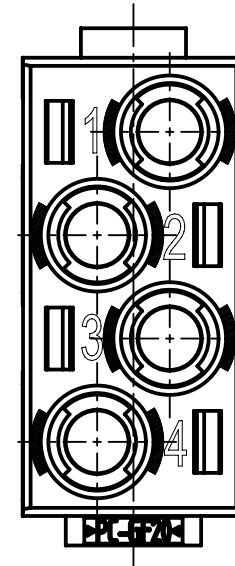
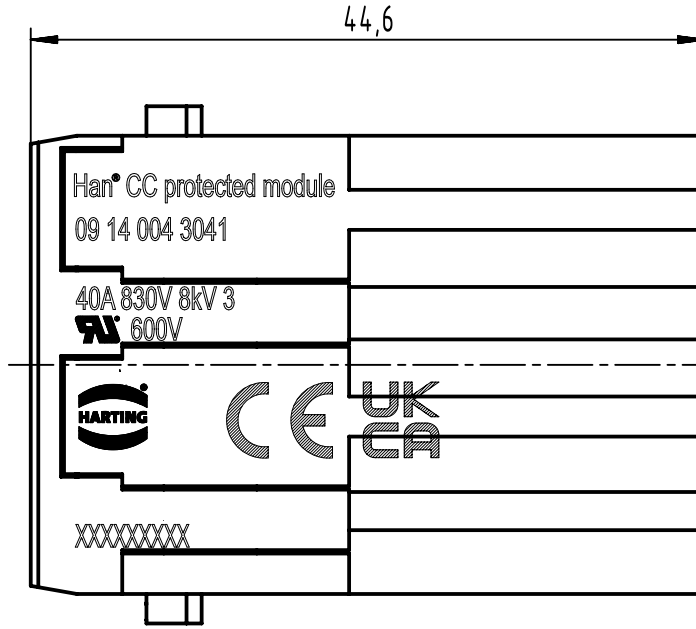
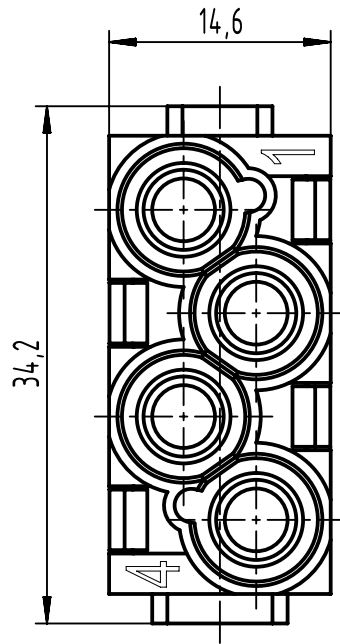
1 2 3 4 5 6

A

B

C

D



	All Dimensions in mm Original Size DIN A4		Scale 2:1	Free size tol.		Ref.		
						Sub.		
	All rights reserved		Created by HOLLERT	Inspected by SUNDERMEIER	Standardisation	Date 2022-12-01	State Final Release	
	Department EL PD		Title Han CC Protected module, crimp male				Doc-Key / ECM-Nr. 100174541/UGD/008/A 500000231302	
HARTING D-32339 Espelkamp			Type TB	Number 09 14 004 3041			Rev. A	Page 1/1