

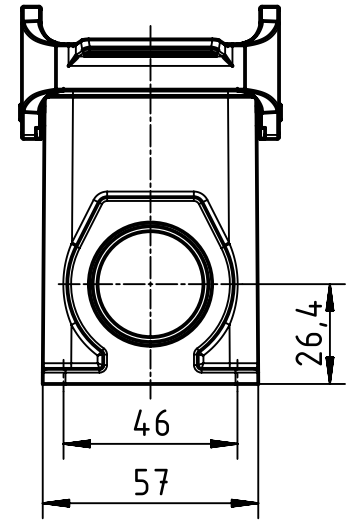
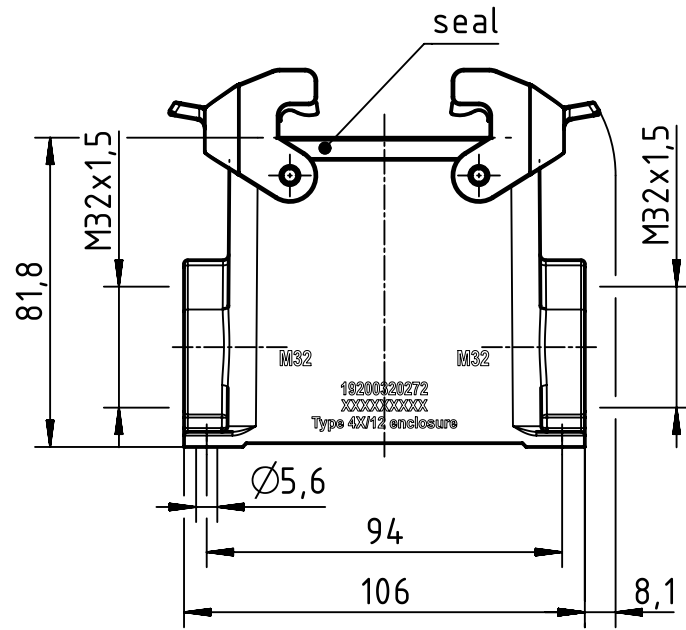
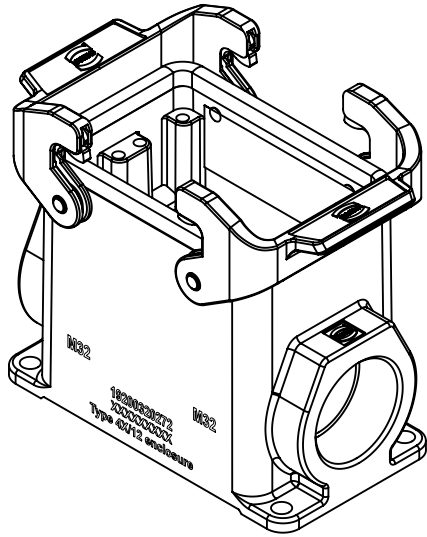
1 2 3 4 5 6

A

B

C

D



	All Dimensions in mm Original Size DIN A4		Scale 1:2	Free size tol.		Ref.
			Created by HELLMANN	Inspected by GERB	Standardisation GARSKE	Sub.
All rights reserved Department EL PD		HARTING Electric GmbH & Co. KG D-32339 Espelkamp		Title Han A Base Surface HC 2 Levers 2 x M32		Date 2019-12-02
				State Final Release		Doc-Key / ECM-Nr. 100206232/UGD/004/B 5000001614.16
				Type TB	Number 19 20 032 0272	Rev. B
						Page 1/1