

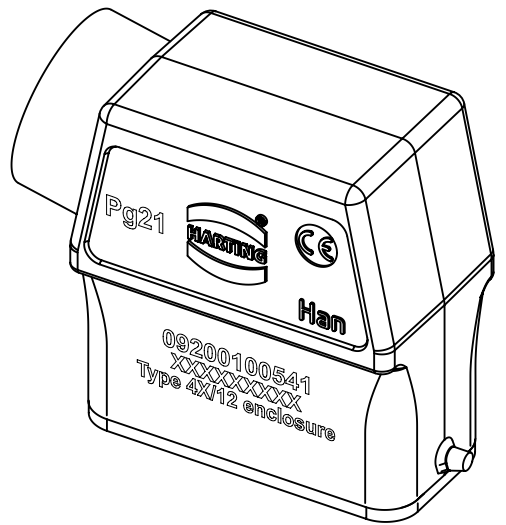
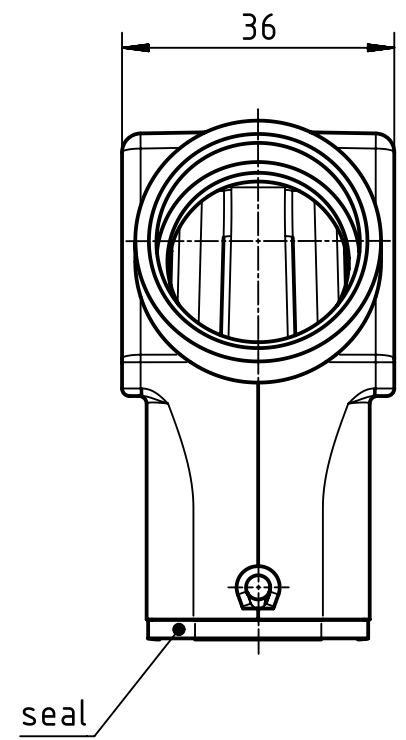
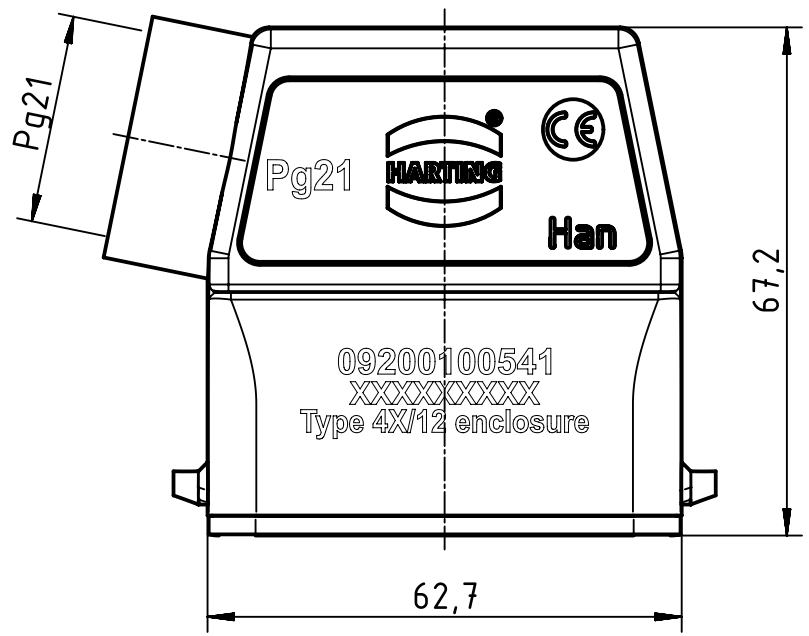
1 2 3 4 5 6

A

B

C

D



	All Dimensions in mm Original Size DIN A4	Scale 1:1		Free size tol.		Ref.	
		Created by RULLKOETTER		Inspected by GERB		Standardisation GARSKE	
	All rights reserved Department EL PD	Title Han 10A-HSE-HC-for SL-Pg21		State Final Release		Doc-Key / ECM-Nr. 100189405/UGD/004/C 500000160860	
		HARTING Electric GmbH & Co. KG D-32339 Espelkamp		Type TB Number 09 20 010 0541		Rev. C Page 1/1	