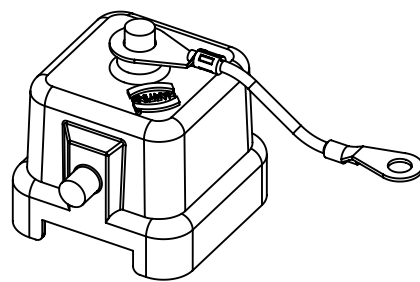
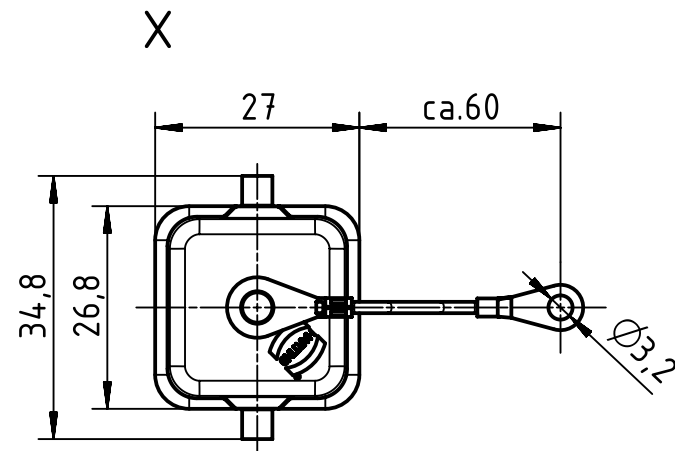
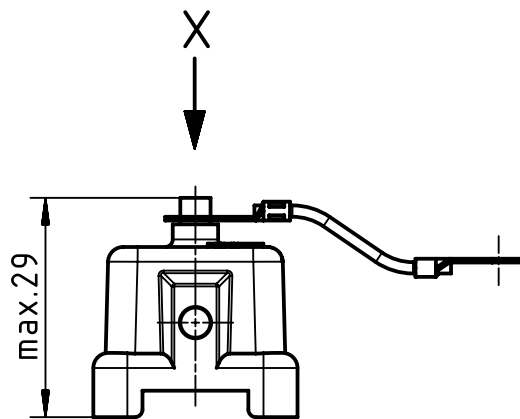



A

B

C

D



	All Dimensions in mm Original Size DIN A4		Scale 1:1	Free size tol.		Ref. Sub. TB 09 20 003 5446 v. 06.11.03	
	All rights reserved Department EL PD		Created by RULLKOETTER	Inspected by SCHNIEDER	Standardisation RUETERA	Date 2018-10-11	State Final Release
HARTING Electric GmbH & Co. KG D-32339 Espelkamp			Title Han 3A-AK (KUNSTSTOFF)			Doc-Key / ECM-Nr. 100087238/UGD/005/A 50000014.0953	
			Type TB	Number 09 20 003 5446		Rev. A	Page 1/1